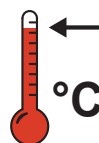


AusPress Stainless Channels are designed to meet the demanding requirements of linear drainage for industrial & commercial environments.



High Load Ratings



High Temp Suitable



Hygienic Design

Performance Features

Load rated channel and grate designs to suit heavy loads such as forklifts.

Epoxy lip infill option to increase strength and prevent bacteria growth.

To improve flow and prevent stagnant water, fall to outlet is incorporated as standard.

Range of channel base designs to suit high flows, flows with solids, multiple outlets and floor types.

Designed specifically for hygiene: HACCP and Watermark approved.

Experience Counts

We've been working with consultants and installers on specialised solutions since 1992 with a focus on food processing, commercial and industrial projects across Australia and New Zealand.

Quality to Install

Levelling angles and concrete tags fitted standard.

Supplied as single piece or when over 6m in length, as bolted segments with Viton gasket.

Spigot and Drain Bowl outlets are integrated into the channel body.

Grate types to match the Floor Gully range.

Reliable Design

Used by leading Australian food processors in demanding environments since 2002.

In-house design staff with custom fabrication for all project requirements.

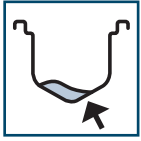
With the strength and chemical resistance qualities of stainless steel.

© AusPress Systems Pty Ltd. No part of this document may be copied, altered or extracted without our written consent. No responsibility is taken for any errors or omissions, contained or implied by this document. Information may be updated or corrected at anytime without notice.

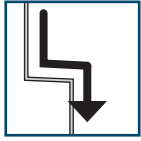


HygieneMAX Channel with Spigot or Drain Bowl Outlet

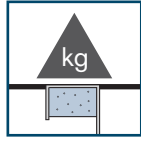
Round-Bottom, fall to outlet with top edge for concrete, tile or epoxy floor finishes.



Radius-Bottom Fall to Outlet



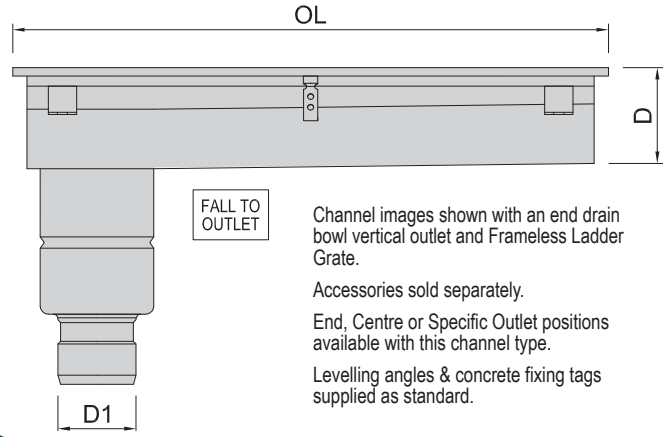
Hygienic & Self Draining



Epoxy Edge Infill Option



Water Saving



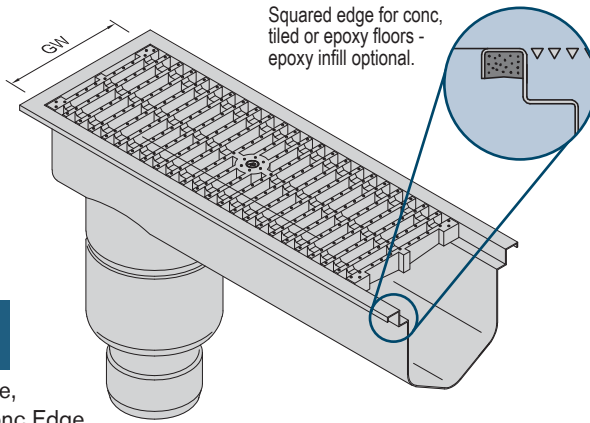
FALL TO OUTLET

Channel images shown with an end drain bowl vertical outlet and Frameless Ladder Grate.

Accessories sold separately.

End, Centre or Specific Outlet positions available with this channel type.

Levelling angles & concrete fixing tags supplied as standard.



H-Type, for Conc Edge

Why HygieneMAX?

Solids fall and are collected at the central curved base of the HygieneMAX channel and are moved in a continuous smooth method to the outlet with reduced water requirements.

The consistent internal trough curve is easy to clean and grades towards the outlet.

Channel & Edge Type?	<input type="checkbox"/> 'HMC' for Conc, Tiled, Epoxy	<input type="checkbox"/> 'HMV' for Vinyl Sheet
Channel Material?	<input type="checkbox"/> 316 Stainless Steel	<input type="checkbox"/> 304 Stainless Steel > 1.5mm thick standard.
Overall Length [OL]	<input type="text" value=""/> mm	> Lengths over 6m supplied in bolt together sections.

Channel Width (Grate Width)	200 (168)		300 (268) or 400 (368)			
	<input type="checkbox"/>	<input type="checkbox"/>	<input type="checkbox"/>	<input type="checkbox"/>	<input type="checkbox"/>	<input type="checkbox"/>
Outlet Type?	Spigot <input type="checkbox"/>	Drain Bowl <input type="checkbox"/> '200'	Spigot <input type="checkbox"/>	Drain Bowl <input type="checkbox"/> '200' <input type="checkbox"/> '300'		
Filter Basket <small>Std = Standard Height Ext = Extended Height</small>	Mini <input type="checkbox"/>	Std <input type="checkbox"/> Ext <input type="checkbox"/>	Mini <input type="checkbox"/>	Std <input type="checkbox"/> Ext <input type="checkbox"/>	Std <input type="checkbox"/> Ext <input type="checkbox"/>	Std <input type="checkbox"/> Ext <input type="checkbox"/>
Foul Air Trap (FAT) & Filter Basket (Std)	X	<input type="checkbox"/>	X	<input type="checkbox"/>	<input type="checkbox"/>	<input type="checkbox"/>
Outlet Size [D1] (mm)	Vertical:	<input type="checkbox"/> 110 <input type="checkbox"/> 110 <input type="checkbox"/> 160	<input type="checkbox"/> 110	<input type="checkbox"/> 110 <input type="checkbox"/> 160	<input type="checkbox"/> 110	<input type="checkbox"/> 160
	Horizontal:	X	<input type="checkbox"/> 110* <input type="checkbox"/> X	X	<input type="checkbox"/> 110* <input type="checkbox"/> X	<input type="checkbox"/> 110* <input type="checkbox"/> X

Reference Drawing? Attached

* Horizontal outlets require both a Foul Air Trap (FAT) & a standard height Filter Basket to be fitted.

Secondary Strainer?	<input type="checkbox"/> 3mm	<input type="checkbox"/> None	> Aperture (hole) size. Available vertical outlets only.
Outlet Location?	<input type="checkbox"/> Centre	<input type="checkbox"/> End	<input type="checkbox"/> Offset from end by: <input type="text" value=""/> mm
Epoxy Edge Infill?	<input type="checkbox"/> Yes	<input type="checkbox"/> None	> Applied under the edge lip to add strength and improve hygiene.
Retaining Chain?	<input type="checkbox"/> Fix to Filter Basket Only		<input type="checkbox"/> Fix to FB & FAT <input type="checkbox"/> None
Grate Type?	<input type="checkbox"/> Cast SS	<input type="checkbox"/> Ladder	<input type="checkbox"/> Mesh
	<input type="checkbox"/> Wedge		

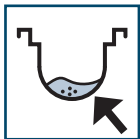
Product numbers and detailed information for each accessory can be found listed further in this section of the catalogue.



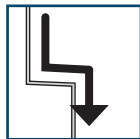
H type

Hygiene Channel with Spigot or Drain Bowl Outlet

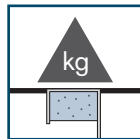
Round-Bottom, fall to outlet with top edge for concrete, tile or epoxy floor finishes.



Round-Bottom Fall to Outlet



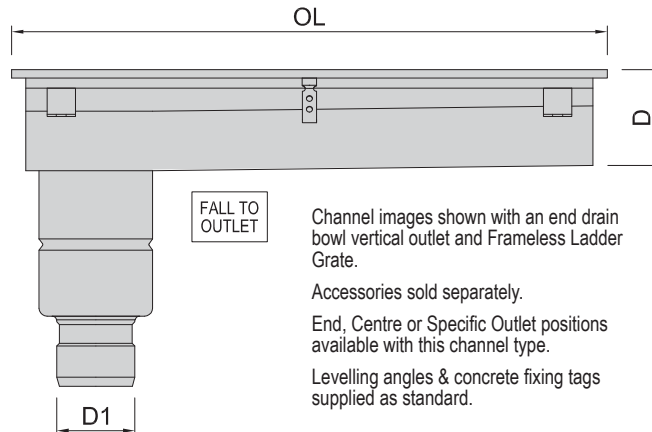
Hygienic & Self Draining



Epoxy Edge Infill Option



Water Saving

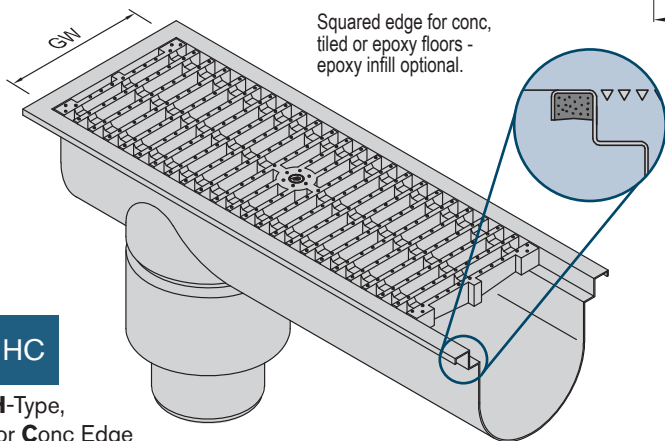


Channel images shown with an end drain bowl vertical outlet and Frameless Ladder Grate.

Accessories sold separately.

End, Centre or Specific Outlet positions available with this channel type.

Levelling angles & concrete fixing tags supplied as standard.



HC H-Type, for Conc Edge

Why Hygiene?

Solids fall to the curved base of the hygiene channel and are pushed to the outlet easily in a self cleaning washing action with reduced water usage.

The consistent curve is easy to clean and grades towards the outlet.

Channel & Edge Type?	<input type="checkbox"/> 'HC' for Conc, Tiled, Epoxy	<input type="checkbox"/> 'HV' for Vinyl Sheet
Channel Material?	<input type="checkbox"/> 316 Stainless Steel	<input type="checkbox"/> 304 Stainless Steel > 1.5mm thick standard.
Overall Length [OL]	<input type="text" value=""/> mm	> Lengths over 6m supplied in bolt together sections.

Channel Width (Grate Width)	200 (168)		300 (268) or 400 (368)				
	<input type="checkbox"/>	<input type="checkbox"/>	<input type="checkbox"/>	<input type="checkbox"/>	<input type="checkbox"/>	<input type="checkbox"/>	
Outlet Type?	Spigot <input type="checkbox"/>	Drain Bowl <input type="checkbox"/>	Spigot <input type="checkbox"/>	Drain Bowl			
		'200' <input type="checkbox"/>		'200' <input type="checkbox"/>	'300' <input type="checkbox"/>		
Filter Basket Std = Standard Height Ext = Extended Height	Mini <input type="checkbox"/>	Std <input type="checkbox"/>	Mini <input type="checkbox"/>	Std <input type="checkbox"/>	Std <input type="checkbox"/>	Ext <input type="checkbox"/>	
		Ext <input type="checkbox"/>		Ext <input type="checkbox"/>	Ext <input type="checkbox"/>		
Foul Air Trap (FAT) & Filter Basket (Std)	X <input type="checkbox"/>	<input type="checkbox"/>	X <input type="checkbox"/>	<input type="checkbox"/>	<input type="checkbox"/>	<input type="checkbox"/>	
Outlet Size [D1] (mm)	Vertical:	110 <input type="checkbox"/>	110 <input type="checkbox"/>	160 <input type="checkbox"/>	110 <input type="checkbox"/>	110 <input type="checkbox"/>	160 <input type="checkbox"/>
	Horizontal:	X <input type="checkbox"/>	110* <input type="checkbox"/>	X <input type="checkbox"/>	X <input type="checkbox"/>	110* <input type="checkbox"/>	X <input type="checkbox"/>

Reference Drawing? Attached

* Horizontal outlets require both a Foul Air Trap (FAT) & a standard height Filter Basket to be fitted.

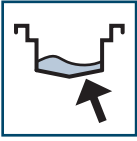
Secondary Strainer?	<input type="checkbox"/> 3mm	<input type="checkbox"/> None	> Aperture (hole) size. Available vertical outlets only.
Outlet Location?	<input type="checkbox"/> Centre	<input type="checkbox"/> End	<input type="checkbox"/> Offset from end by: <input type="text" value=""/> mm
Epoxy Edge Infill?	<input type="checkbox"/> Yes	<input type="checkbox"/> None	> Applied under the edge lip to add strength and improve hygiene.
Retaining Chain?	<input type="checkbox"/> Fix to Filter Basket Only		<input type="checkbox"/> Fix to FB & FAT
			<input type="checkbox"/> None
Grate Type?	<input type="checkbox"/> Cast SS	<input type="checkbox"/> Ladder	<input type="checkbox"/> Mesh

Product numbers and detailed information for each accessory can be found listed further in this section of the catalogue.

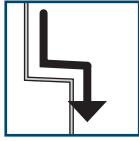
V
type

V-Bottom Channel with Spigot or Drain Bowl Outlet

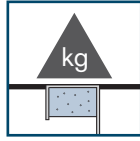
V-Bottom, fall to outlet with top edge options for different floor finishes.



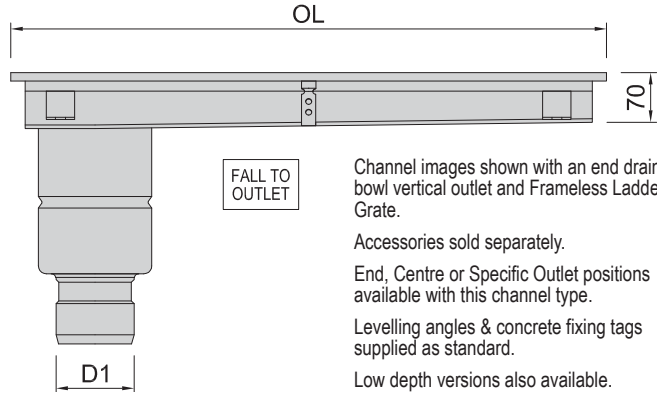
V-Bottom Fall to Outlet



Hygienic & Self Draining



Epoxy Edge Infill Option



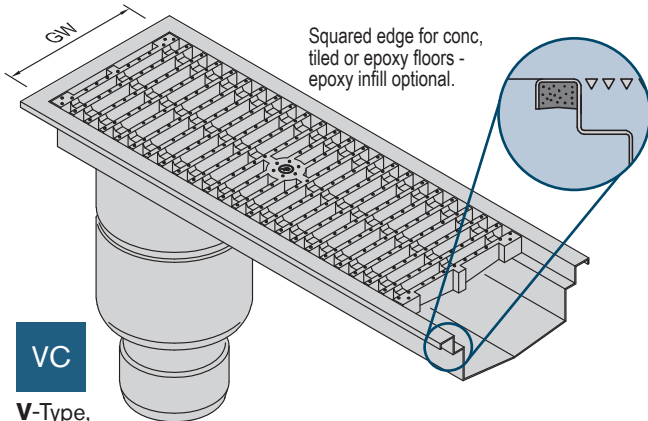
Channel images shown with an end drain bowl vertical outlet and Frameless Ladder Grate.

Accessories sold separately.

End, Centre or Specific Outlet positions available with this channel type.

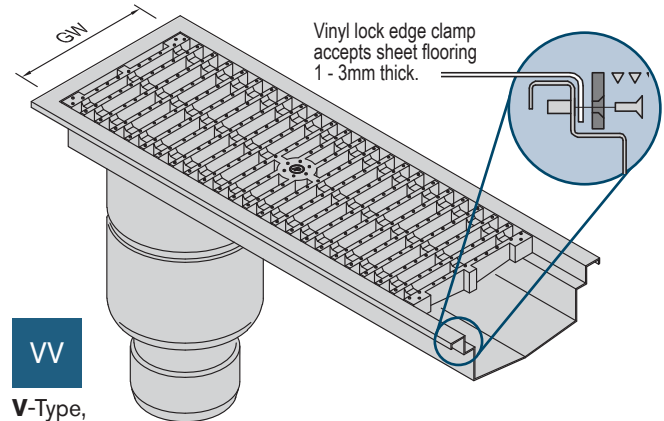
Levelling angles & concrete fixing tags supplied as standard.

Low depth versions also available.



VC

V-Type, for **Conc Edge**



VV

V-Type, for **Vinyl Lock Edge**

Channel & Edge Type?	<input type="checkbox"/> 'VC' for Conc, Tiled, Epoxy	<input type="checkbox"/> 'VV' for Vinyl Sheet
Channel Material?	<input type="checkbox"/> 316 Stainless Steel	<input type="checkbox"/> 304 Stainless Steel > 1.5mm thick standard.
Overall Length [OL]	<input type="text" value=""/> mm	> Lengths over 6m supplied in bolt together sections.

Channel Width (Grate Width)	200 (168)		300 (268) or 400 (368)				
	<input type="checkbox"/>	<input type="checkbox"/>	<input type="checkbox"/>	<input type="checkbox"/>	<input type="checkbox"/>	<input type="checkbox"/>	
Outlet Type?	<input type="checkbox"/> Spigot	<input type="checkbox"/> Drain Bowl	<input type="checkbox"/> Spigot	<input type="checkbox"/> Drain Bowl			
		<input type="checkbox"/> '200'		<input type="checkbox"/> '200'	<input type="checkbox"/> '300'		
Filter Basket <small>Std = Standard Height Ext = Extended Height</small>	<input type="checkbox"/> Mini	<input type="checkbox"/> Std <input type="checkbox"/> Ext	<input type="checkbox"/> Mini	<input type="checkbox"/> Std <input type="checkbox"/> Ext	<input type="checkbox"/> Std <input type="checkbox"/> Ext		
Foul Air Trap (FAT) & Filter Basket (Std)	<input checked="" type="checkbox"/> X	<input type="checkbox"/>	<input checked="" type="checkbox"/> X	<input type="checkbox"/>	<input type="checkbox"/>	<input type="checkbox"/>	
Outlet Size [D1] (mm)	Vertical:	<input type="checkbox"/> 110	<input type="checkbox"/> 110	<input type="checkbox"/> 160	<input type="checkbox"/> 110	<input type="checkbox"/> 160	<input type="checkbox"/> 160
	Horizontal:	<input checked="" type="checkbox"/> X	<input type="checkbox"/> 110*	<input checked="" type="checkbox"/> X	<input checked="" type="checkbox"/> X	<input type="checkbox"/> 110*	<input checked="" type="checkbox"/> X

Reference Drawing? Attached

* Horizontal outlets require both a Foul Air Trap (FAT) & a standard height Filter Basket to be fitted.

Secondary Strainer?	<input type="checkbox"/> 3mm	<input type="checkbox"/> None	> Aperture (hole) size. Available vertical outlets only.
Outlet Location?	<input type="checkbox"/> Centre	<input type="checkbox"/> End	<input type="checkbox"/> Offset from end by: <input type="text" value=""/> mm
Epoxy Edge Infill?	<input type="checkbox"/> Yes	<input type="checkbox"/> None	> Applied under the 'VC' edge lip to add strength and improve hygiene.
Retaining Chain?	<input type="checkbox"/> Fix to Filter Basket Only		<input type="checkbox"/> Fix to FB & FAT
			<input type="checkbox"/> None
Grate Type?	<input type="checkbox"/> Cast SS	<input type="checkbox"/> Ladder	<input type="checkbox"/> Mesh

Product numbers and detailed information for each accessory can be found listed further in this section of the catalogue.



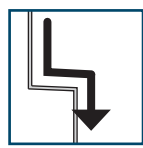
S type

Slot Channel with Drain Bowl Outlet

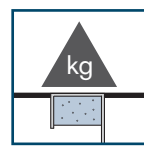
V-Bottom, fall to outlet with top edge for concrete, tile or epoxy floor finishes.



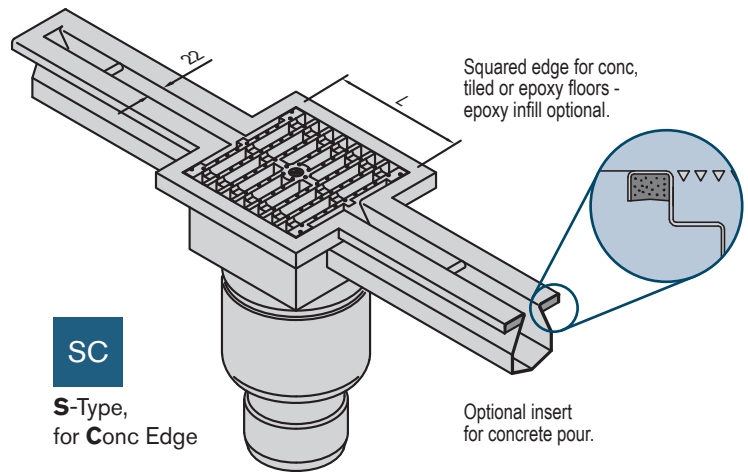
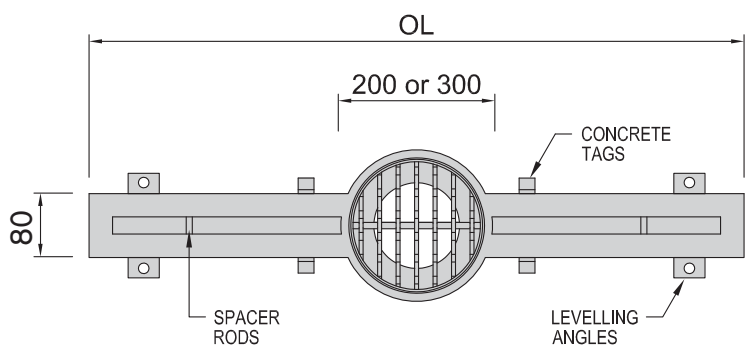
Narrow Gap Fall to Outlet



Hygienic & Self Draining



Epoxy Edge Infill Option



SC

S-Type, for Conc Edge

Channel images shown with a centre drain bowl vertical outlet and no grate.
Grate and accessories are sold separately.
End, Centre or Specific Outlet positions available with this channel type.
Levelling angles & concrete fixing tags supplied as standard.

Why Slot?

Slot channels are suitable for washdown applications with no or limited solids and offer a narrow opening without a channel grate required.

The outlet uses a square Floor Gully so a Filter Basket and or Secondary Strainer to be added to the outlet.

Channel & Edge Type?	<input type="checkbox"/> 'SC' for Conc, Tiled, Epoxy
Channel Material?	<input type="checkbox"/> 316 Stainless Steel <input type="checkbox"/> 304 Stainless Steel > 1.5mm thick standard.
Overall Length [OL]	<input type="text" value=""/> mm > Lengths over 6m supplied in bolt together sections.
Slot Width (mm)	22mm opening. <input type="checkbox"/> Open Slot <input type="checkbox"/> Spacer Rods

Outlet Type?	Square Top Outlet		Round Top Outlet	
	'200'	'300'	'200'	'300'
Filter Basket <small>Std = Standard Height Ext = Extended Height</small>	<input type="checkbox"/> Std <input type="checkbox"/> Ext	<input type="checkbox"/> Std <input type="checkbox"/> Ext	<input type="checkbox"/> Std <input type="checkbox"/> Ext	<input type="checkbox"/> Std <input type="checkbox"/> Ext
Foul Air Trap (FAT) & Filter Basket (Std)	<input type="checkbox"/>	<input type="checkbox"/>	<input type="checkbox"/>	<input type="checkbox"/>
Outlet Size [D1] (mm)	Vertical: <input type="checkbox"/> 110 <input type="checkbox"/> 160 Horizontal: <input type="checkbox"/> 110* <input type="checkbox"/> X	Vertical: <input type="checkbox"/> 110 <input type="checkbox"/> 160 Horizontal: <input type="checkbox"/> 110* <input type="checkbox"/> X	Vertical: <input type="checkbox"/> 110 Horizontal: <input type="checkbox"/>	Vertical: <input type="checkbox"/> 110 Horizontal: <input type="checkbox"/>

Reference Drawing?	<input type="checkbox"/>
Attached	<input type="checkbox"/>

* Horizontal outlets require both a Foul Air Trap (FAT) & a standard height Filter Basket to be fitted.

Secondary Strainer?	<input type="checkbox"/> 3mm <input type="checkbox"/> None	> Aperture (hole) size. Available vertical outlets only.
Outlet Location?	<input type="checkbox"/> Centre <input type="checkbox"/> End	<input type="checkbox"/> Offset from end by: <input type="text" value=""/> mm
Epoxy Edge Infill?	<input type="checkbox"/> Yes <input type="checkbox"/> None	> Applied under the edge lip to add strength and improve hygiene.
Retaining Chain?	<input type="checkbox"/> Fix to Filter Basket Only <input type="checkbox"/> Fix to FB & FAT <input type="checkbox"/> None	

Grate Type?

Drain Bowl Outlet will be supplied with a square or round grate to suit.

Cast SS

Ladder

Mesh

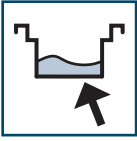
Wedge

Product numbers and detailed information for each accessory can be found listed further in this section of the catalogue.

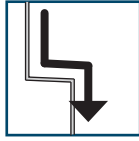
F
type

Flat-Bottom Channel with Spigot or Drain Bowl Outlet

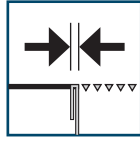
V-Bottom, fall to outlet with different top edge options for concrete or tiled floor finishes.



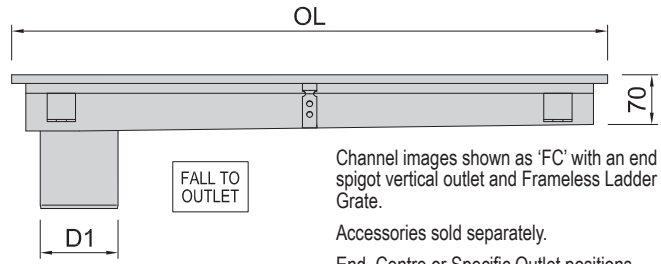
Flat-Bottom Fall to Outlet



Hygienic & Self Draining



Narrow Folded Edge Option

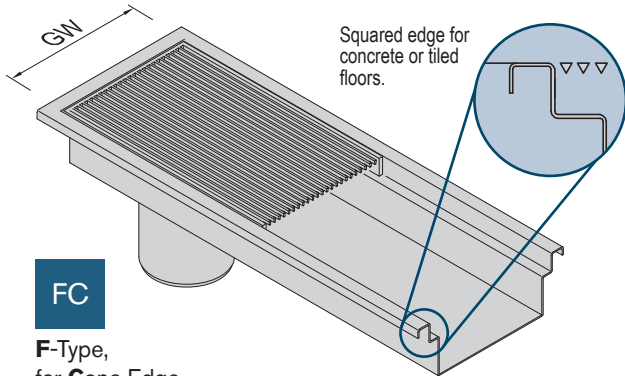


Channel images shown as 'FC' with an end spigot vertical outlet and Frameless Ladder Grate.

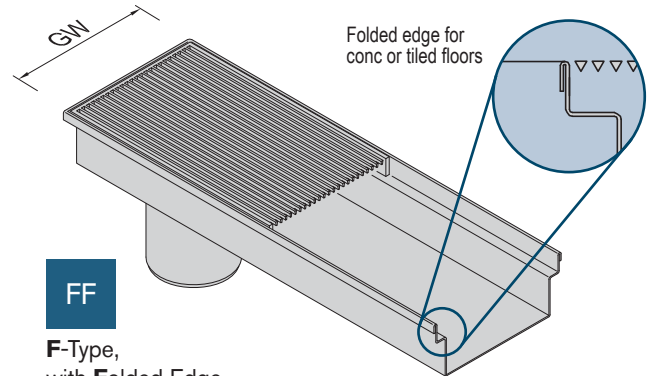
Accessories sold separately.

End, Centre or Specific Outlet positions available with this channel type.

Levelling angles & concrete fixing tags supplied as standard.



FC
F-Type, for Conc Edge



FF
F-Type, with Folded Edge

Channel & Edge Type?	<input type="checkbox"/> 'FC' for Conc, Tiled, Epoxy	<input type="checkbox"/> 'FF' for Folded Sheet	<input type="checkbox"/> 'FV' for Vinyl Sheet
Channel Material?	<input type="checkbox"/> 316 Stainless Steel	<input type="checkbox"/> 304 Stainless Steel	
Material Thickness?	<input type="checkbox"/> 1.5mm thick	<input type="checkbox"/> 1.2mm thick	
Overall Length [OL]	<input type="text" value=""/> mm	> Lengths over 6m supplied in bolt together sections.	

Channel Width* (Grate Width)	<input type="checkbox"/> 100 (68)	<input type="checkbox"/> 150 (118)	<input type="checkbox"/> 200 (168)
Outlet Type?	<input type="checkbox"/> Vertical Spigot		
Outlet Size [D1] (mm) Outside Diameter	<input type="checkbox"/> 50 <input type="checkbox"/> 75 <input type="checkbox"/> 110	<input type="checkbox"/> 50 <input type="checkbox"/> 75 <input type="checkbox"/> 110	<input type="checkbox"/> 50 <input type="checkbox"/> 75 <input type="checkbox"/> 110
Outlet Location?	<input type="checkbox"/> Centre	<input type="checkbox"/> End	<input type="checkbox"/> Offset from end by: <input type="text" value=""/> mm

* Channel Width measurement based on 'FC' type channel. The 'FF' type channel is less width.

Reference Drawing? Attached

Grate Type? Wedge

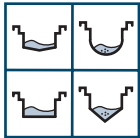
Heal Safe

Product numbers and detailed information for each accessory can be found listed further in this section of the catalogue.

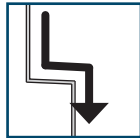


Oversized Outlet Channel with Bowl Outlet

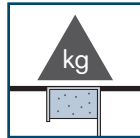
Fall to outlet with top edge for concrete, tile or epoxy floor finishes. Choice of channel type.



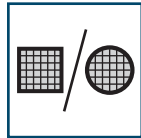
Bottom Choice Fall to Outlet



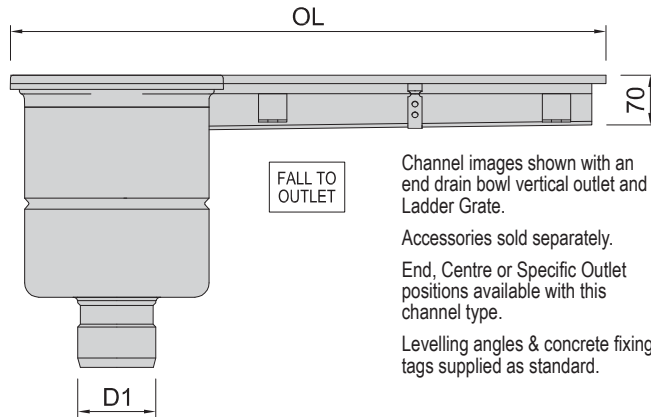
Hygienic & Self Draining



Epoxy Edge Infill Option



Square or Round Access

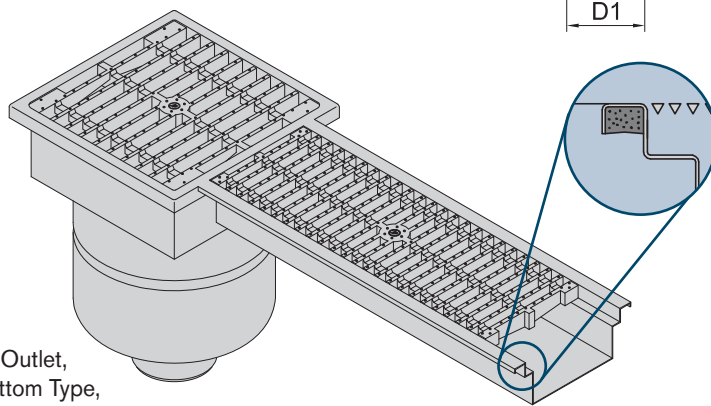


Channel images shown with an end drain bowl vertical outlet and Ladder Grate.

Accessories sold separately.

End, Centre or Specific Outlet positions available with this channel type.

Levelling angles & concrete fixing tags supplied as standard.



Squared edge for conc, tiled or epoxy floors - epoxy infill optional.



Oversized Outlet, Option Bottom Type, for Conc Edge

Why Oversized Outlet?

Allows a larger Filter Basket to be fitted into the outlet in occasions when excessive solids need to be captured.

Channel Edge & Base Type?	<input type="checkbox"/> 'OVC' V-Bottom	<input type="checkbox"/> 'OHC' Hygiene Round Bottom	<input type="checkbox"/> 'OHMC' HygieneMAX	<input type="checkbox"/> 'OFC' Flat Bottom
Channel Material?	<input type="checkbox"/> 316 Stainless Steel		<input type="checkbox"/> 304 Stainless Steel	
Overall Length [OL]	<input type="text" value="mm"/>		> Lengths over 6m supplied in bolt together sections.	

Channel Width (Grate Width)	<input type="checkbox"/> 200 (168)			
Outlet Type	Square Drain Bowl		Round Drain Bowl	
	<input type="checkbox"/> '300'	<input type="checkbox"/> '300'	<input type="checkbox"/> '300'	<input type="checkbox"/> '300'
Filter Basket	<input type="checkbox"/> Std		<input type="checkbox"/> Std	
Std = Standard Height Ext = Extended Height	<input type="checkbox"/> Ext		<input type="checkbox"/> Ext	
Foul Air Trap (FAT) & Filter Basket (Std)	<input type="checkbox"/>		<input type="checkbox"/>	
Vertical:	<input type="checkbox"/> 110	<input type="checkbox"/> 160	<input type="checkbox"/> 110	<input type="checkbox"/> 160
Outlet Size [D1] (mm)	<input type="checkbox"/>	<input type="checkbox"/>	<input type="checkbox"/>	<input type="checkbox"/>
Horizontal:	<input type="checkbox"/> 110*	<input type="checkbox"/> X	<input type="checkbox"/> 110*	<input type="checkbox"/> X

Reference Drawing? Attached

* Horizontal outlets require both a Foul Air Trap (FAT) & a standard height Filter Basket to be fitted.

Secondary Strainer?	<input type="checkbox"/> 3mm	<input type="checkbox"/> None	> Aperture (hole) size. Available vertical outlets only.
Outlet Location?	<input type="checkbox"/> Centre	<input type="checkbox"/> End	<input type="checkbox"/> Offset from end by: <input type="text" value="mm"/>
Epoxy Edge Infill?	<input type="checkbox"/> Yes	<input type="checkbox"/> None	> Applied under the edge lip to add strength and improve hygiene.
Retaining Chain?	<input type="checkbox"/> Fix to Filter Basket Only		<input type="checkbox"/> Fix to FB & FAT
			<input type="checkbox"/> None

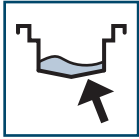
Grate Type?	<input type="checkbox"/> Cast SS	<input type="checkbox"/> Ladder	<input type="checkbox"/> Mesh	<input type="checkbox"/> Wedge
Drain Bowl Outlet will be supplied with a square grate of the same type.				
	300 wide max		300 wide max	

Product numbers and detailed information for each accessory can be found listed further in this section of the catalogue.

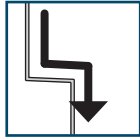
K
type

Kitchen/Kettle Channel with Drain Bowl Outlet

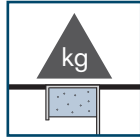
For Commercial Kitchen Facilities with top edge options for different floor finishes.



V-Bottom Fall to Outlet



Hygienic & Self Draining

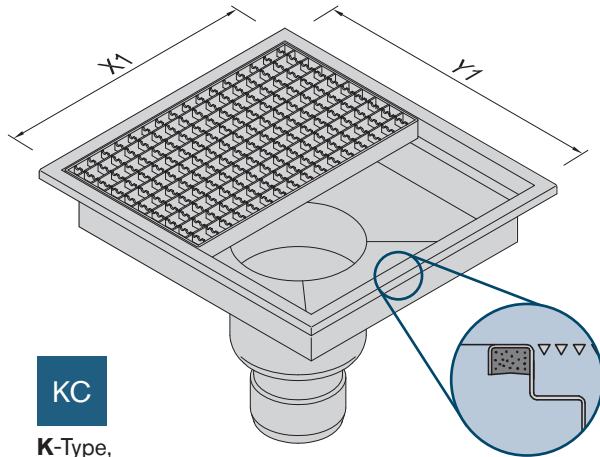
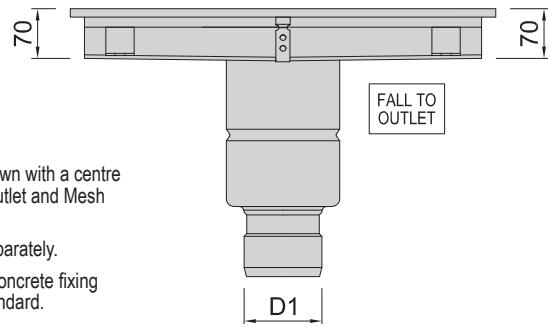


Epoxy Edge Infill Option

Channel images shown with a centre drain bowl vertical outlet and Mesh Grate.

Accessories sold separately.

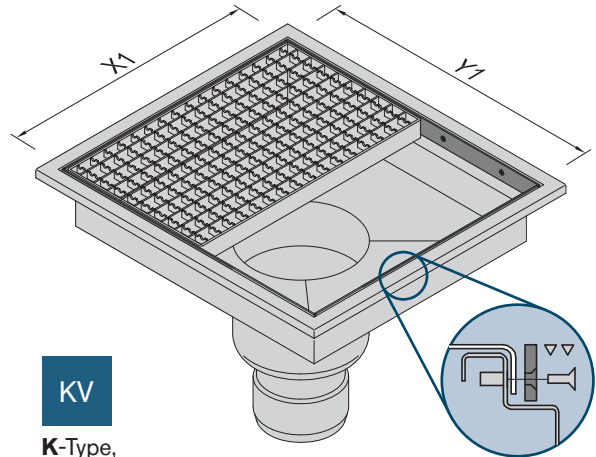
Levelling angles & concrete fixing tags supplied as standard.



KC

K-Type, for Conc Edge

Squared edge for conc, tiled or epoxy floors - epoxy infill optional.



KV

K-Type, for Vinyl Lock Edge

Vinyl lock edge clamp accepts sheet flooring 1 - 3mm thick.

Channel & Edge Type?	<input type="checkbox"/> 'KC' for Conc, Tiled, Epoxy	<input type="checkbox"/> 'KV' for Vinyl Sheet	
Channel Material?	<input type="checkbox"/> 316 Stainless Steel	<input type="checkbox"/> 304 Stainless Steel	> 1.5mm thick standard.
Grate Size [X1 x Y1]	<input type="checkbox"/> 500 x 500mm Supplied as 1 piece	<input type="checkbox"/> 1000 x 400mm Supplied as 2 pieces	<input type="checkbox"/> 1000x 500mm Supplied as 2 pieces
	<input type="checkbox"/> Other: _____ x _____ mm		

Outlet Type	Drain Bowl	
		<input type="checkbox"/> '200'
Filter Basket Std = Standard Height Ext = Extended Height Silt = Silt Basket	<input type="checkbox"/> Std	<input type="checkbox"/> Ext
	<input type="checkbox"/> Silt	
Foul Air Trap (FAT) & Filter Basket (Std)	<input type="checkbox"/>	
Outlet Size [D1] (mm)	Vertical: <input type="checkbox"/> 110 <input type="checkbox"/> 160	
	Horizontal: <input type="checkbox"/> 110* <input type="checkbox"/> X	

Reference Drawing? Attached

* Horizontal outlets require both a Foul Air Trap (FAT) & a standard height Filter Basket to be fitted.

Secondary Strainer?	<input type="checkbox"/> 3mm	<input type="checkbox"/> None	> Aperture (hole) size. Available vertical outlets only.
Epoxy Edge Infill?	<input type="checkbox"/> Yes	<input type="checkbox"/> None	> Applied under the 'KC' edge lip to add strength and improve hygiene.
Retaining Chain?	<input type="checkbox"/> Fix to Filter Basket Only		<input type="checkbox"/> Fix to FB & FAT <input type="checkbox"/> None

Grate Type	<input type="checkbox"/> Mesh	<input type="checkbox"/> Ladder
An internal support may be required to strengthen the middle of wide span grates.		
Grates are supplied as 1 or 2 pieces for OH&S (lifting weight).		

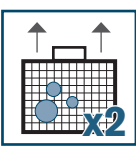
Product numbers and detailed information for each accessory can be found listed further in this section of the catalogue.



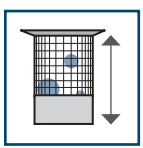
L type

Laundry/Surge Channel with Drain Bowl Outlet

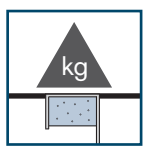
For Commercial Laundry & Aged Care Facilities with top edge options for different floor finishes.



Removable Lint Screen x2



Extended Silt Basket

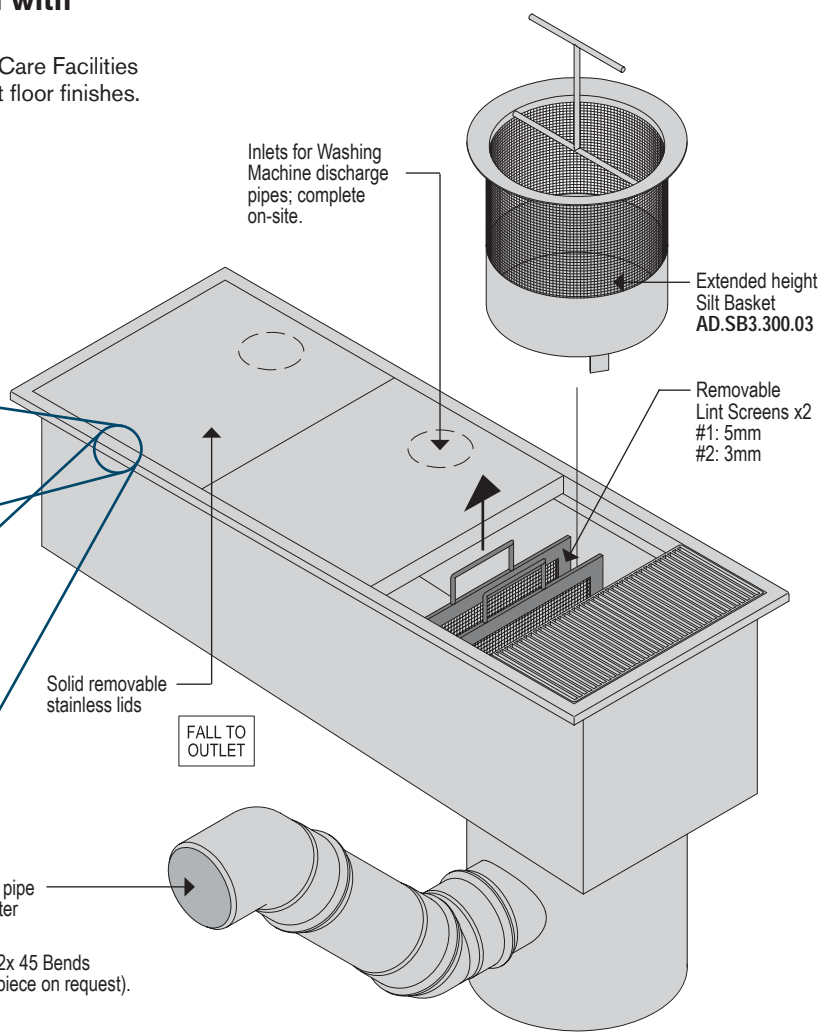


Epoxy Edge Infill Option

LC L-Type, for **Conc** Edge (shown)

LV L-Type, for **Vinyl** Lock Edge

Vinyl lock edge clamp accepts sheet flooring 1 - 3mm thick - Type 'LV' only.



Channel image shown with an end drain bowl outlet and Wedge Grate.
Filter Screen, Silt Basket, Grates & Outlet assembly included.
Levelling angles & concrete fixing tags supplied as standard.

Stainless water seal pipe assembly for hot water discharge included.
1x 250mm length + 2x 45 Bends (or supplied as one piece on request).

Channel & Edge Type?	<input type="checkbox"/> 'LC' for Conc, Tiled, Epoxy	<input type="checkbox"/> 'LV' for Vinyl Sheet
Channel Material?	<input type="checkbox"/> 316 Stainless Steel	<input type="checkbox"/> 304 Stainless Steel > 1.5mm thick standard.

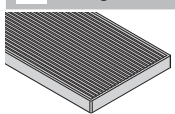
Washing Machines?	Qty: <input type="text"/>	Make: <input type="text"/>	Model: <input type="text"/>
	Water Discharge Volume per Machine: <input type="text"/> Litres		

Max Grate Width?	<input type="text"/> mm	> Maximum width if restricted.
Max Overall Length?	<input type="text"/> mm	> Maximum length if restricted.
Maximum Depth?	<input type="text"/> mm IL	> Maximum invert level if restricted.
Minimum Volume?	<input type="text"/> Litres	
Outlet Size (mm)	<input type="checkbox"/> 110 <input type="checkbox"/> 160	> Outlet OD.

Reference Drawing? Attached

Silt Basket	<input type="checkbox"/> 3mm	> Aperture (hole) size.
Lint Screen #1	<input type="checkbox"/> 5mm	> Aperture (hole) size.
Lint Screen #2	<input type="checkbox"/> 3mm	> Aperture (hole) size.
Epoxy Edge Infill?	<input type="checkbox"/> Yes <input type="checkbox"/> None	> Applied under the 'LC' edge lip to add strength and improve hygiene.

Grate Type? Wedge



Heel Safe

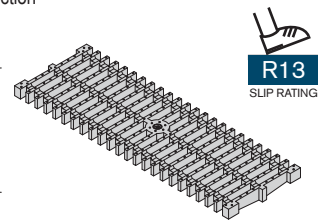
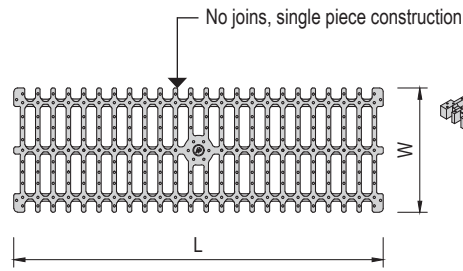
Select a grate type to be positioned over the outlet part of the channel.
The remainder is covered with a solid 'non-load bearing' cover plate.

Product numbers and detailed information for each accessory can be found listed further in this section of the catalogue.

Cast Stainless Grate

Material: 316 stainless steel, electropolished finish.
Surface: Raised dimple pattern.

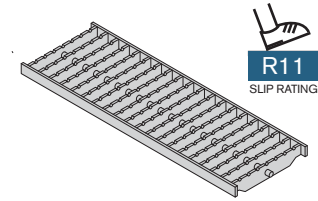
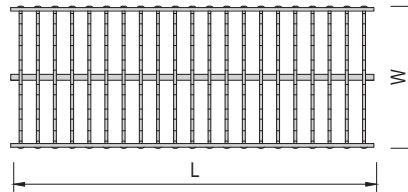
GW	Product No	W	L	Class	Ultimate Load
200	AC.GC.168.499	168	499	D	14,480 [†]
300	AC.GC.268.499	268	499	C	15,050 [†]
150	AC.GC.118.499	118	499	-	15,000 [†]



Ladder Grate

Material: 304 or 316 stainless steel, mill finish.
Surface: Half round notch.

GW	Product No	W	L	Class	Ultimate Load
200	AC.GLM.168.499	168	499	B	4,800 [†]
300	AC.GLMX.268.499	268	499	C	8,150 [†]

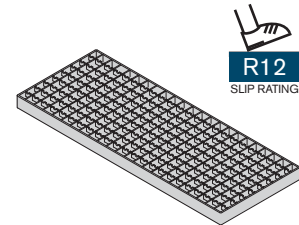
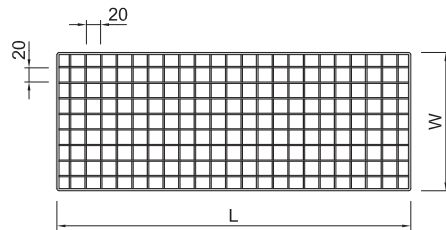


Electropolish finish available on request.

Mesh Grate

Material: 304 stainless steel, electropolished finish.
Surface: Half round notch.

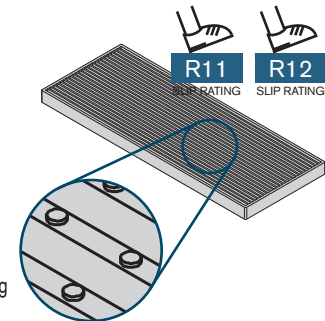
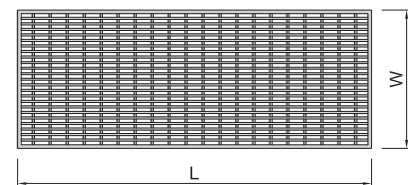
GW	Product No	W	L	Class	Ultimate Load
200	AC.GM.168.499	168	499	-	1,500 [†]
300	AC.GM.268.499	268	499	-	1,500 [†]
400	AC.GM.368.398	368	398	-	1,500 [†]
500	AC.GM.468.499	468	499	-	1,500 [†]



Wedge Grate (Heel Safe)

Material: 316 stainless steel, mill finish.
Surface: Raised dimple pattern.

GW	Product No	W	L	Class	Ultimate Load
200	AC.GW.168.499	168	499	-	1,500 [†]
300	AC.GW.268.499	268	499	-	1,500 [†]



Grate with a dimpled surface achieves a R12 slip rating across (transverse) & R11 with the bars (longitudinal).

[†] Load ratings to AS3996-1029 testing in kilograms (kg). Lesser values for solid wheel and moving wheel loads. Slip ratings tested to EN13036.

*Indicative load shown. Contact AusPress for further details.

Load Rating Class

Tests are completed according to different standards depending on the grate type (ie floor gully grates are tested to different methods than a linear channel grate). Both Australian and European standards are considered however, note the two standards do not align in actual weight values per class, as summarised below. Refer to the relevant standard for full details and limitations.

Refer to Tech Note TN.15

Ultimate Limit:	10kN	80kN	150kN	240kN
Design Load:	6.7kN	53kN	100kN	160kN
Wheel Load:	330kg	2,670kg	5,000kg	8,000kg
AS 3996:2019	A	B	C	D
EN 1433:2002	A	B	C	
Ultimate Limit:	15kN	125kN	250kN	
Design Load:	10kN	83kN	167kN	
Wheel Load:	330kg	2,670kg	5,000kg	

Note: Load rating standards include EN 1433:2002, EN 124:2015 & AS 3996:2019, depending on the type and application and region. Lesser values expected for solid and moving/turning wheel loads. Slip ratings tested to EN13036.



Filter Basket Options

Material: 316 stainless steel.

Why Use a Filter Basket?

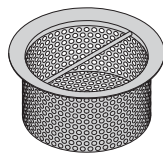
The mesh of the Filter Basket prevents solids in wash down waters from passing and possibly blocking the drainage beyond so this material can be disposed of appropriately.

Why use a Silt Basket?

When wash down water contains fine or sand like solids, these particles fall to the solid bottom for collection and allow the water to overflow through the mesh and drain beyond.

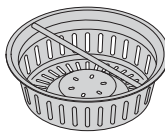
Retaining Chain?

We can fix the basket to the drain bowl to prevent the basket being thrown away.



FB

'Standard' Height Filter Basket



PB

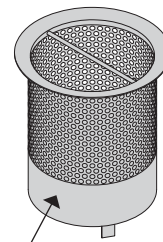
Pressed Filter Basket



FBX

'Extended' Height Filter Basket

Cannot be used with a Foul Air Trap (FAT).



SB

Solid bottom to collect silt

Dry 'Silt' Basket with Solid Bottom

Cannot be used with a Foul Air Trap (FAT).

Product No	Image	Desc	for Bowl Size	Volume	Mesh
AD.FB2.075.03	FB	Filter Basket (Standard)	200 (157)	0.7 L	3.25Ø
AD.FB2.200.03	FBX	Filter Basket (Extended)	200 (157)	2.0 L	3.25Ø
AD.FB2.157.50	PB	Filter Basket (Pressed)	200 (157)	0.5 L	5.0Ø
AD.SB2.200.03	SB	Silt Basket	200 (157)	2.0 L	3.25Ø
AD.FB3.075.03	FB	Filter Basket (Standard)	300 (218)	1.9 L	3.25Ø
AD.FB3.200.03	FBX	Filter Basket (Extended)	300 (218)	6.2 L	3.25Ø
AD.FB3.218.50	PB	Filter Basket (Pressed)	300 (218)	1.1 L	5.0Ø
AD.SB3.200.03	SB	Silt Basket	300 (218)	6.2 L	3.25Ø
AD.FB4.075.03	FB	Filter Basket (Standard)	400 (350)	3.4 L	3.25Ø
AD.FB4.260.03	FBX	Filter Basket (Extended)	400 (350)	11.4 L	3.25Ø
AD.FB6.270.03	FBX	Filter Basket (Extended)	600 (520)	25.0 L	3.25Ø

‡ Max rate based on a continuous flow of water in clean conditions with vertical outlet drain bowl.

Foul Air Trap (FAT) Removable

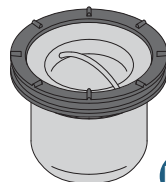
Material: 316 stainless steel with NBR seal.

Why Use A FAT?

With the Fowl Air trap removed, pipework beyond is clear for maintenance access.

Use instead of a P-Trap to reduce the IL depth of the outlet.

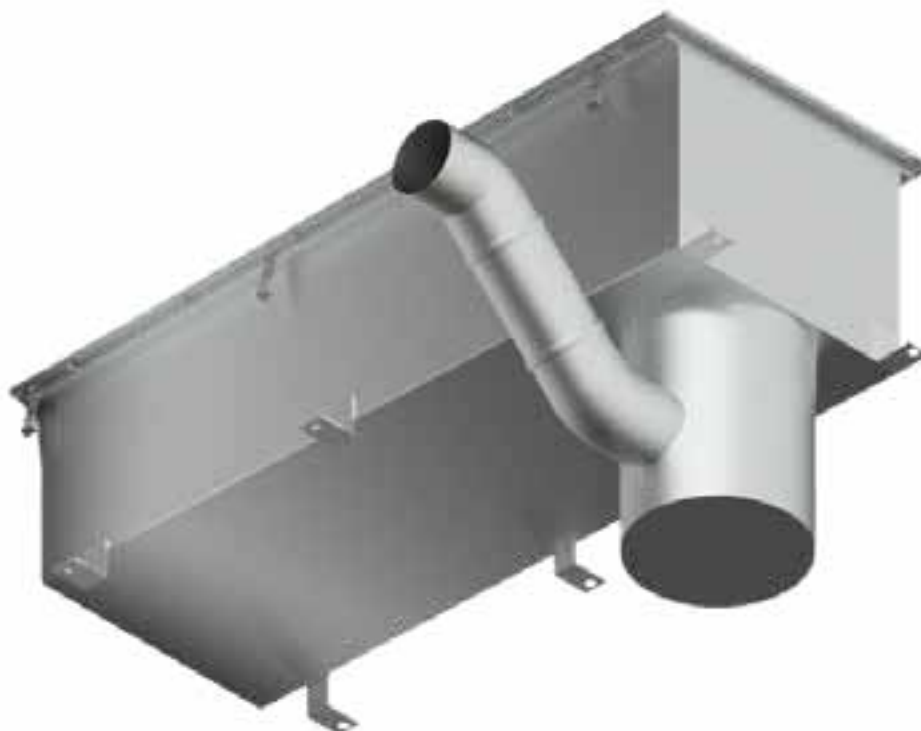
FAT must be used with a standard height Filter Basket in a standard height Drain Bowl (all sold separately).



FAT

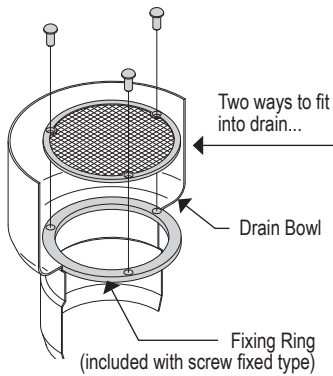
Product No	for Bowl Size	Seal Height	Flow†
AD.FAT2.KIT	200 (157)	75	3.5 L/sec
AD.FAT3.KIT	300 (218)	75	4.6 L/sec

† Max rate based on a continuous flow of water in clean conditions with vertical outlet drain bowl.



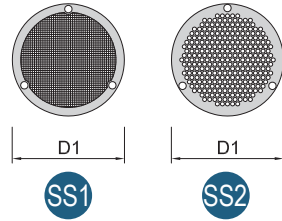
Secondary Strainer Option

Material: 316 stainless steel.



Strainer (Screw Fixed)

Secured with 3x torx screws to the Drain Bowl outlet. Screw Fixed available on request.



Outlet OD	Aperture	Style	Product No	Open %
110	3.2mm	SS1	AD.SSK.110.03	42%
160	3.8mm	SS1	AD.SSK.160.03	43%

Requirements for Trade Waste:
Some Water Authorities list 'Screw Fixed' Secondary Strainers as a standard requirement. Please ask if you're unsure.

Key to remove? Order a **AD.KEY**

Strainer (Clip-In)

With 3x support legs, no fixing ring required (not shown).

Outlet OD	Hole Dia	Style	Product No	Open %
110	3.8mm	SS2	AD.SSC.110.03	36%
160	3.8mm	SS2	AD.SSC.160.03	41%

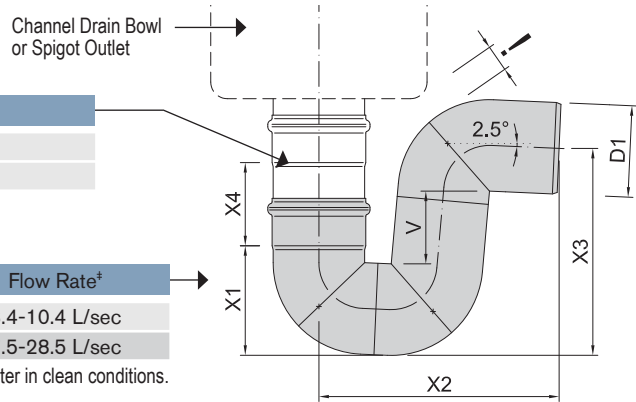
P-Trap Socket - Spigot

Material: 316 stainless steel, mill finish.
Ring Seal: EPDM x1 fitted.

Riser	Product No	D1	X4
A small vertical length may be required. Riser length sold separately.	AP.P.015.110	110	225
	AP.P.025.160	160	345

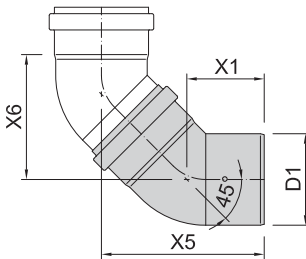
P-Trap	Product No	D1	X1	X2	X3	Flow Rate*
	AP.PT.110	110	132	300	254	3.4-10.4 L/sec
	AP.PT.160	160	190	403	347	7.5-28.5 L/sec

* Max rate based on a continuous flow of water in clean conditions.



Bend 45° Socket - Spigot

Material: 316 stainless steel, mill finish.
Ring Seal: EPDM x1 fitted.



Double 45 bend arrangements shown for offset dimensions only - each bend sold separately.

Product No	D1	X1	X5	X6
AP.B.45.110	110	93	195	150
AP.B.45.160	160	131	269	200
AP.B.45.200*	200	152	308	228
AP.B.45.250*	250	177	362	273
AP.B.45.315*	315	199	411	317

Mini Filter Basket

Material: 316 stainless steel.

When use the Mini Basket?

With a collection volume of 300mL, the Mini Basket is used when solids are few in washdown water.



FB 'Mini' Filter Basket
Suitable to selected 110mm spigot outlets.

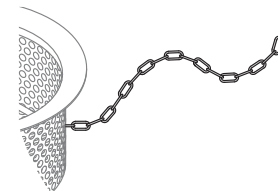
Suits items with a 110mm spigot outlet.

Mesh	Hole	Product No
3mm	3.25Ø	AD.FB1.075.03

Retaining Chain

Material: 316 stainless steel.

A Retaining Chain can be fitted between the Filter Basket and the Drain Bowl to prevent the basket being left out of the Drain Bowl or discarded.



Length	Product No
700mm	AD.RCK.0700*