



AusPress®

COPPER

# Install Guide



profile



DN15 - 50

**Start here**

## Start to install quicker...

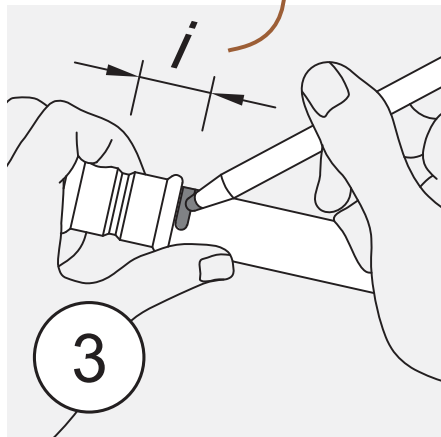
AusPress Copper is installed easily and quickly using a Press Tool to form a permanent joint. Installation only by a qualified & licensed plumber to AS3500 and AS5601.

## Check for suitability...

Both copper material and the rubber ring seal must be checked if suitable for the possible fluids and exterior environment conditions.

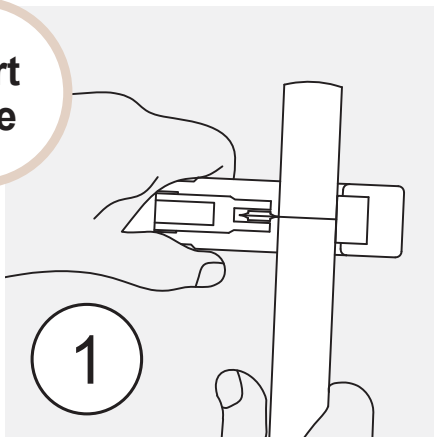
## If in doubt, ask us!

See over for depth measurement.



## Mark the Insertion Depth "i"

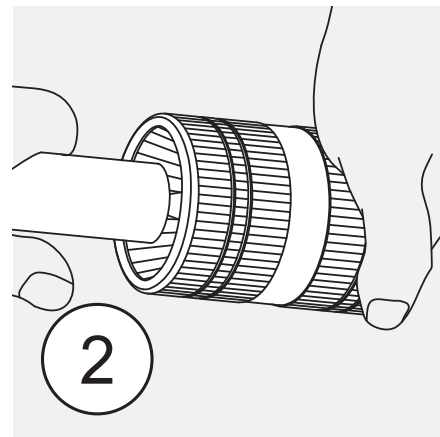
Measure and textually mark the insertion depth (socket depth) from the end of the tube.



## Cut to Length

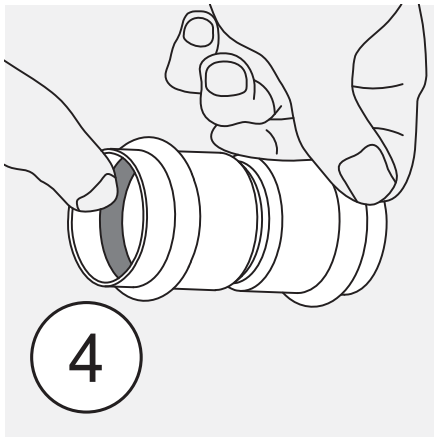
Cut the tube at right angles using a tube cutter or fine tooth saw.

Type A or B copper tube complying to AS1432 is suitable. Ensure tube end is true round.



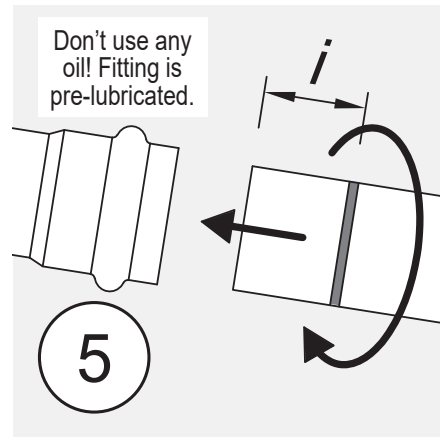
## Deburr Tube

Deburr both inside & outside edges of tube to prevent damage to the ring seal of the fitting.



## Inspect Fitting & Ring Seals

Check that the rubber ring seal is not damaged and both fitting & seal are free of debris.



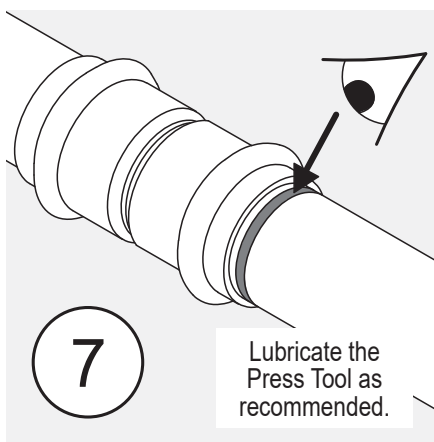
## Join the Tube & Fitting

Insert the tube into the fitting press socket, turning slightly until it reaches the previously marked insertion depth.



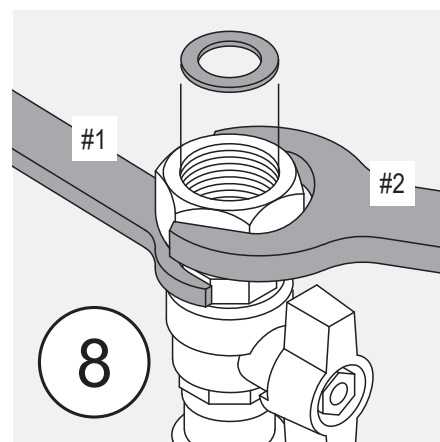
## Press Tool Selection

Use a press tool, jaw or collar to suit the fitting, dimension and application pressures. Ensure press zone is Innox lubricated each press.



## Check the Press

Visually inspect the pressed fitting & that the insertion mark is aligned with the end of the socket.



## Threaded Ends

Valves are supplied with a plastic gasket. Tighten threads with the fitting supported, don't tighten against the pressed joint alone.



AusPress®

# Install Guide



profile



DN15 - 50

COPPER

## Check the Ring Seal

Product performance specifications only - always install to meet local and AS/NZ standards.



General Working Pressure  
1,600 kpa (232 psi) max.

Gas installations 200 kpa  
(29 psi) max (AS 5601).



Black Ring Seal:  
For Potable Water  
-20 to +95°C



Yellow Ring Seal:  
For Gas Only  
(NG or LPG)

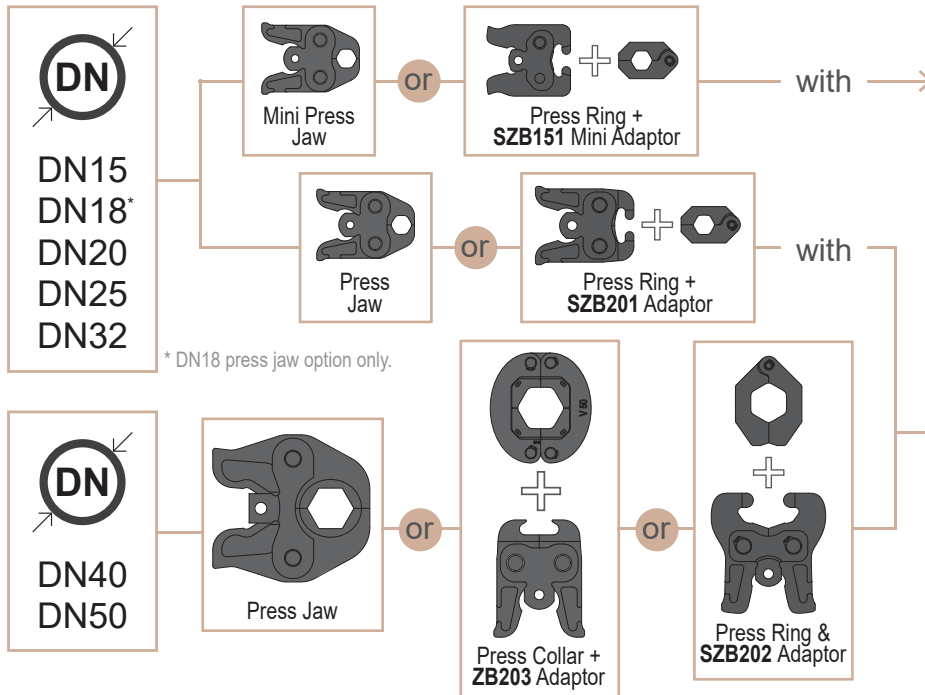


Red Ring Seal:  
For High Temp Solar  
Water to +170°C

**Note:** Don't use oils or grease to lubricate the ring seal. Not suitable for medical gases, refrigeration, air conditioning, acetylene, fuels & diesel. Contact us for other chemical suitability before installing.

## Press Tool Options

AusPress Copper fittings are compatible with V-Profile tool options below.



### Mini Tool Options

- Vetec SPM24
- Milwaukee M12 Press Force
- Kembla KPS
- Viega Pressgun Picco
- Novopress ACO152

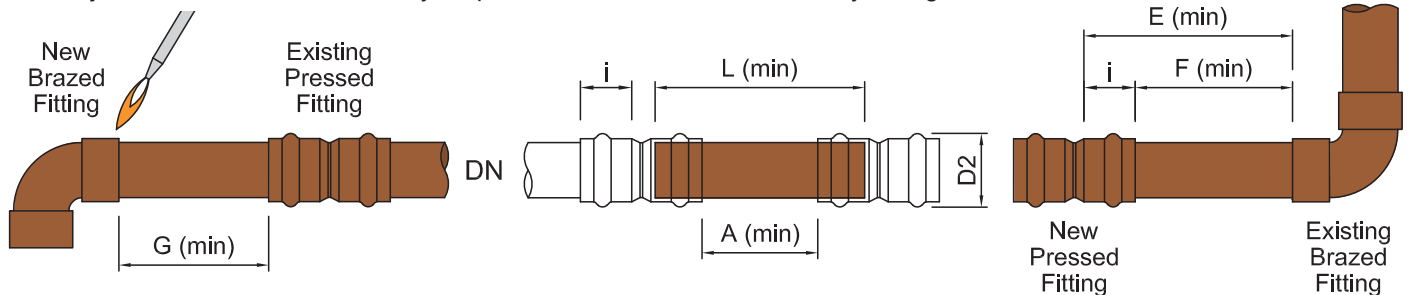
### 32kN Tool Options

- Novopress ACO203
- Novopress AFP202
- Milwaukee M18 Press Force
- Rothenberger Romax 3000
- Kembla KPL
- Viega Pressgun 4B
- Viega Pressgun 5
- Klauke UAP3L
- Klauke UAP4L
- Rems Akku-Press

Refer to tool manufacturer for ability, suitability and follow recommended use instructions.

## Fitting Clearances

Measurements are dependant on the actual fitting dimensions and the Press Tool used to join. Confirm clearances with your particular installation as these may change.



During brazing or soldering we recommend protecting adjacent existing press fittings by keeping them cool (eg wrap the press fitting with a wet cloth) during these processes.

V-Profile fittings shown are measured from the end of the fitting.

Measurements are dependant on the actual fitting dimensions and the Press Tool used to join. Confirm clearances with your particular installation as these may change.

**Note:** This document is only intended as a guide and users must refer to our full product catalogue and technical information for further detailed information.

DN	Profile	i	L	A	D2	E	F	G
15	V	19	51	13	20	32	13	1000
18	V	21	55	13	24	34	13	1000
20	V	22	57	13	27	35	13	1000
25	V	23	61	15	34	38	15	1000
32	V	26	67	15	41	41	15	1000
40	V	32	84	20	49	52	20	1000
50	V	40	105	25	61	65	25	1300

↖ tube insertion depth measurement.